



### Model Number

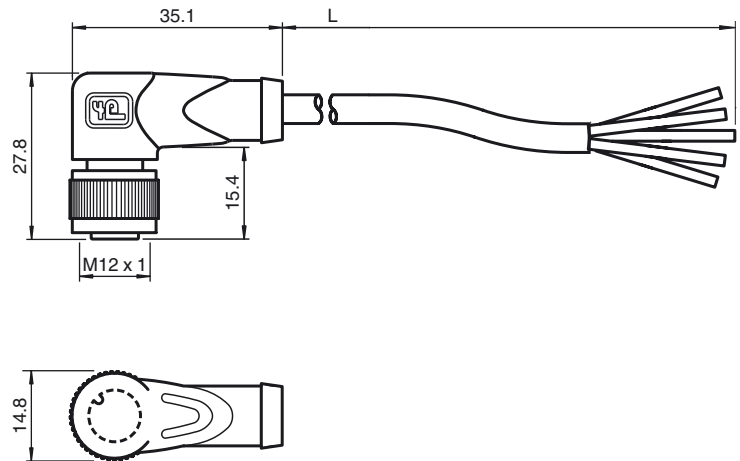
**V15-W-BK0,3M-PUR-U/0,75**

Female cordset, M12, 5-pin, PUR cable

### Features

- Knurled nut suitable for tool assembly
- Immunity to vibration, with mechanical latching
- Suitable for drag chains
- UL Recognized Component
- Degree of protection IP67 / IP68 / IP69K
- Gold plated contacts

### Dimensions



### Technical data

#### General specifications

Number of pins	5
UL File Number	E231213

#### Electrical specifications

Operating voltage	$U_B$	max. 60 V AC/DC
Operating current	$I_B$	max. 4 A
Volume resistance		< 5 m $\Omega$

#### Ambient conditions

Ambient temperature	Body: -40 ... 90 °C (-40 ... 194 °F) cable, fixed: -40 ... 80 °C (-40 ... 176 °F) cable, flexing: -20 ... 80 °C (-4 ... 176 °F)
---------------------	---

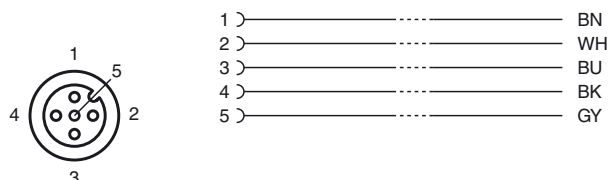
#### Mechanical specifications

Contact elements	spring-loaded contact socket
Pin diameter	1 mm
Degree of protection	IP67 / IP68 / IP69k
<b>Material</b>	
Contacts	CuSn / Au
Contact surface	Au
Body	TPU, black
Cable	PUR
Slotted nut	Diecast zinc
Core insulation	PP
Cable	fine-strand, flexible
Sheath diameter	$\varnothing$ 6 mm
Bending radius	> 10 x cable diameter, appropriate for conveyor chains > 5 x cable diameter, fixed
Color	black
Number of cores	5
Core cross-section	0.75 mm <sup>2</sup>
Conductor construction	42 x 0.15 mm $\varnothing$
Length	L 0.3 m
<b>Drag chain suitability</b>	
Drag chain cycles	$\geq$ 2000000
Motion velocity	$\leq$ 3.3 m/s
Traverse distance	5 m
Acceleration	$\leq$ 5 m/s <sup>2</sup>
Torsional stress	$\pm$ 180°/m
<b>Flammability</b>	
Contact carrier	HB
Housing	V-2

#### Compliance with standards and directives

Standard conformity	
Degree of protection	EN 60529:2000

### Electrical connection





Standards	IEC 61076-2-101:2008
Flammability	Grip: UL 94
<b>Approvals and certificates</b>	
UL approval	cURus AWM 20549 AWM I/II A/B 80°C 300V FT2 (cable)

Release date: 2016-06-29 10:12 Date of issue: 2016-06-29 239999-0001\_eng.xml

Refer to "General Notes Relating to Pepperl+Fuchs Product Information".